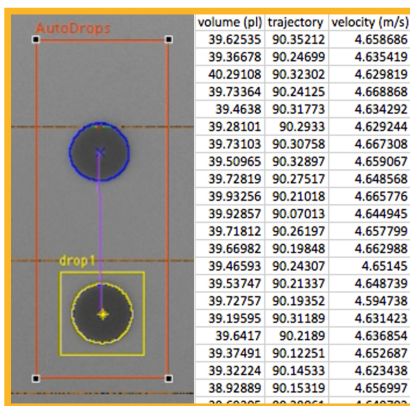


JetXpert Inkjet Development System

JetXpert with fully-integrated print station



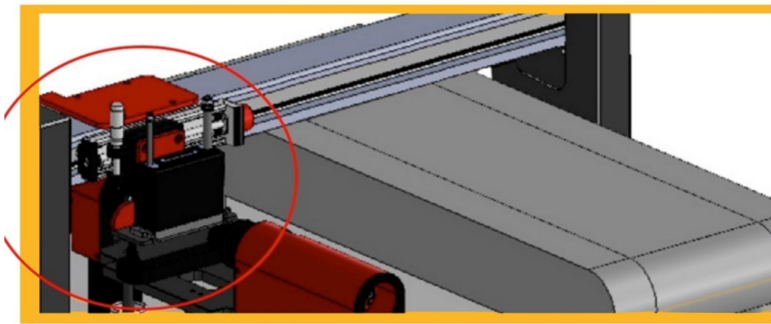
FEATURES AND BENEFITS

- The JeXpert Inkjet Development System is a complete platform for inkjet R&D. It provides a full suite of flexible, integrated analysis tools to ink developers, OEMs, and manufactureres.
- JetXpert provides world class visualization and analysis of drops-in-flight for rapid optimization of drop formation.
- Multiple locking head positions with quick release allow easy movement between stations.
- Print samples quickly and easily with fully integrated linear stage or belt with encoder
- Accomadates any printhead on the market

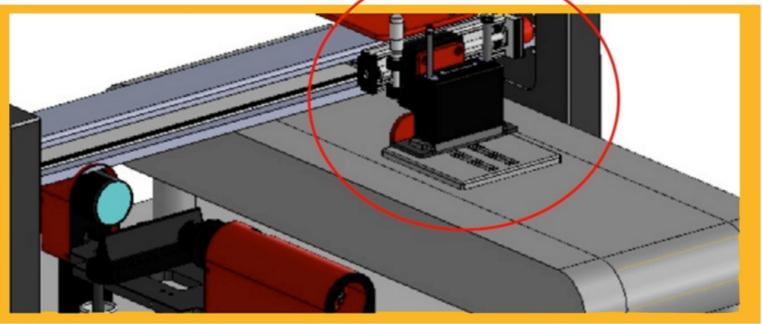
Includes:

- JetXpert
- Linear stage for printing
- Gantry for ease of use
- Print controller (optional)
- Printhead (optional)
- Ink Supply (optional)
- Vaccuum Chuck (optional)
- Print Quality Analysis (optional)
- and more

Print station capability is also available as an upgrade to existing JetXpert systems



Print head in JetXpert position



Print head in print position

Complete solution including drop watching, drop analysis, print testing, print quality analysis, and drop mass measurement in one economical test fixture

System Components

JetXpert	<ul style="list-style-type: none"> - Visualization of drop formation and analysis of drops in flight, including measurements of volume, velocity, and trajectory, empowering the user to optimize ink formulations and jetting parameters - Single drop imaging with minimum 125ns strobe pulse width - Automatically save data, statistics, images, and movies - Optional Wetting camera for direct imaging of nozzles, allowing the user to identify many causes of poor jetting performance or jet-out, including wetting, damaged nozzles, debris in nozzle, etc - Optional frequency sweep capability, allowing automated measurement of jetting performance over a range of user-defined jetting frequencies - Optional first drop capability, and latency testing
Print Station	<ul style="list-style-type: none"> - Belt or linear stage with integrated encoder for synchronization with printhead and controller - Optical sensor to detect start of print - Customizable speed (Belt: 0.5-2 m/s, Linear Stage 0-2 m/s)
Printhead Mount	<ul style="list-style-type: none"> - Custom mounts available for every printhead on the market, including Xaar, Kyocera, Konica Minolta, Dimatix, Trident, Ricoh, Xerox M Class, HP, and SII Printek
Downward Facing Camera (Optional)	<ul style="list-style-type: none"> - Allows visualization and quantitative analysis of print quality, using fully integrated ImageXpert analysis software - Highly customizable analysis to match particular needs of development or QA team - Measurement capabilities include dot, line, edge, text quality, bleed, etc - Zoom lens included for further flexibility
Drop Weigh Station (Optional)	<ul style="list-style-type: none"> - Adds capability to measure average mass of dispensed drops
Ventilation Hood (Optional)	<ul style="list-style-type: none"> - Hood for JetXpert, with duct fitting for ventilation system
Ink Supply System (Optional)	<ul style="list-style-type: none"> - Supplies ink to a variety of printheads (does not work for recirculating heads) - Ink level sensor with automatic subtank refill - Adjustable meniscus pressure
Workstation	<ul style="list-style-type: none"> - Workstation preloaded with JetXpert software for drop analysis and full ImageXpert software for print quality analysis